

**SLAB STEEL CODE:**

BOTTOM BARS PER RIB	REINFORCING MARK
2-#5	2-#5
1-#5, 1-#6	1-#5, 1-#6
2-#6	2-#6
1-#6, 1-#7	1-#6, 1-#7
2-#7	2-#7
1-#7, 1-#8	1-#7, 1-#8
2-#8	2-#8
1-#8, 1-#9	1-#8, 1-#9
2-#9	2-#9
1-#9, 1-#10	1-#9, 1-#10

TOP BARS SPREAD UNIFORMLY OVER STRIP	REINFORCING MARK
6-#4	6-#4
9-#4	9-#4
10-#5	10-#5
13-#5	13-#5
14-#5	14-#5
17-#5	17-#5
21-#5	21-#5
13-#6	13-#6
15-#6	15-#6
21-#6	21-#6
23-#6	23-#6
26-#6	26-#6
27-#6	27-#6
41-#6	41-#6
46-#6	46-#6
79-#6	79-#6
35-#6	35-#6
37-#6	37-#6
54-#6	54-#6
24-#5	24-#5
20-#5	20-#5

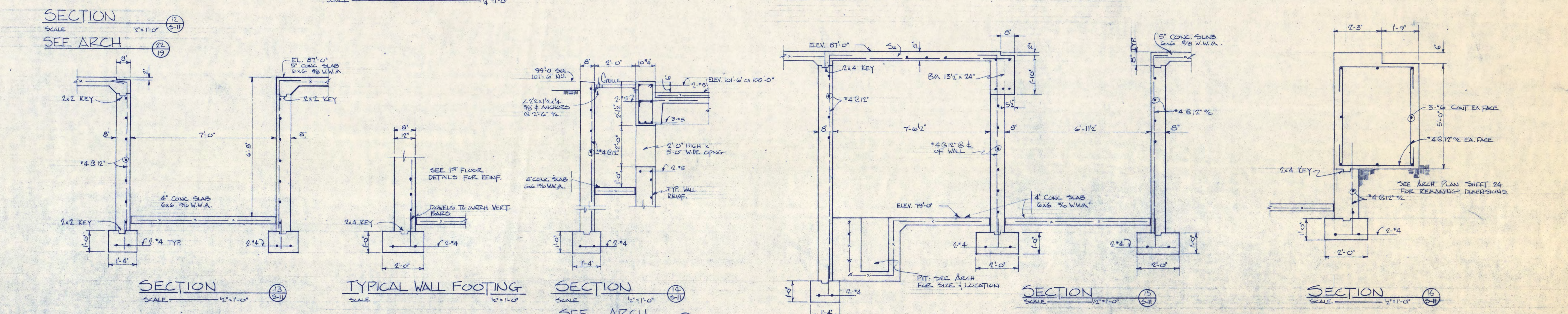
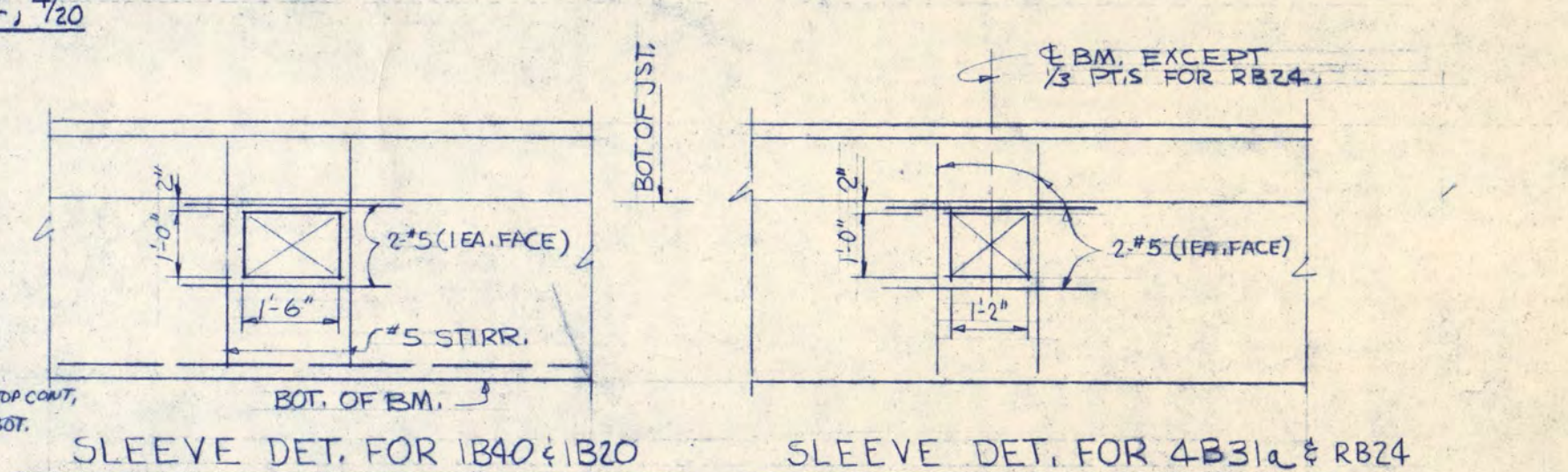
**GENERAL NOTES**

- ALL FOOTINGS SHALL BE PLACED ON UNDISTURBED SOIL. DESIGN SOIL PRESSURE IS 10,000 PSF. (SEE SOIL BORING REPORT BY TWIN CITY TESTING AND ENG. LAB. INC. DATED FEB. 15, 1968). FOOTING SHALL BE LOWERED WHERE REQUIRED TO INSURE SUITABLE BEARING. THE GENERAL CONTRACTOR SHALL LOWER FOOTINGS AS REQUIRED TO PROVIDE ADEQUATE SPACE BETWEEN BASEMENT SLAB AND TOP OF FOOTING FOR MECHANICAL PIPING. NO PIPING SHALL BE PLACED UNDER FOOTING'S. STEP WALL FOOTING (2:1 SLOPE MAX.) WHERE STEPS ARE REQUIRED.
- ALL CONCRETE SHALL HAVE A 28 DAY COMPRESSIVE STRENGTH ( $f'_c$ ) AS INDICATED:
  - FOOTINGS AND FOUNDATION WALLS  $f'_c = 3000$  PSI
  - COLLARS FOR BASEMENT AND 1ST FLOOR  $f'_c = 5000$  PSI
  - ALL OTHER CONCRETE  $f'_c = 4000$  PSI
- ALL REINFORCING STEEL SHALL BE ASTM A-15 DEFORMED BARS EXCEPT ALL COLUMN VERTICALS SHALL BE ASTM A-432 DEFORMED BARS. ALL REINFORCING SHALL BE DETAILED AND PLACED AS PER ACI MANUAL OF STANDARD PRACTICE (318-65) AND ACI CODE (318-65).
- ALL STRUCTURAL STEEL SHALL BE ASTM A-36 DETAILED AND ERECTED AS PER AISC SPECIFICATIONS (CURRENT EDITION)
- ALL STEEL JOISTS SHALL BE OPEN WEB TYPE WITH SIZE AND TYPE AS SHOWN ON PLANS. JOISTS SHALL BE SHI APPROVED.
- DESIGN LINE LOADS  
ROOF = 40 PSF  
FLOORS = 125 PSF
- NO PIPING OR SLEEVES SHALL BE PLACED IN BEAMS, JOISTS, CULS AND OTHER STRUCTURAL ELEMENTS WITHOUT SPECIFIC APPROVAL BY STRUCTURAL ENGINEER.
- 3" x 2" STRUCTURAL TOPPING FOR FIRST FLOOR SLAB SHALL BE REINFORCED WITH 6x6 x 1/16 W.W.A.
- PROVISIONS FOR FUTURE CONSTRUCTION SHOWN ON SHEET S-10. FUTURE FLOORS SHALL BE OF SAME TYPE CONSTRUCTION AS FOR LOWER FLOORS.

NOTE: ALL PANS SHALL BE 30x30 (12" DEEP) WITH 6" ANCH W/ 3" SLAB TRAP REINF. FOR SLABS SHALL BE #2 @ 24" O.C. E.W. PLACED IN ALL AREAS EXCEPT WHERE TOP STEEL RUNS IN BOTH DIRECTIONS.

**LINTELS**

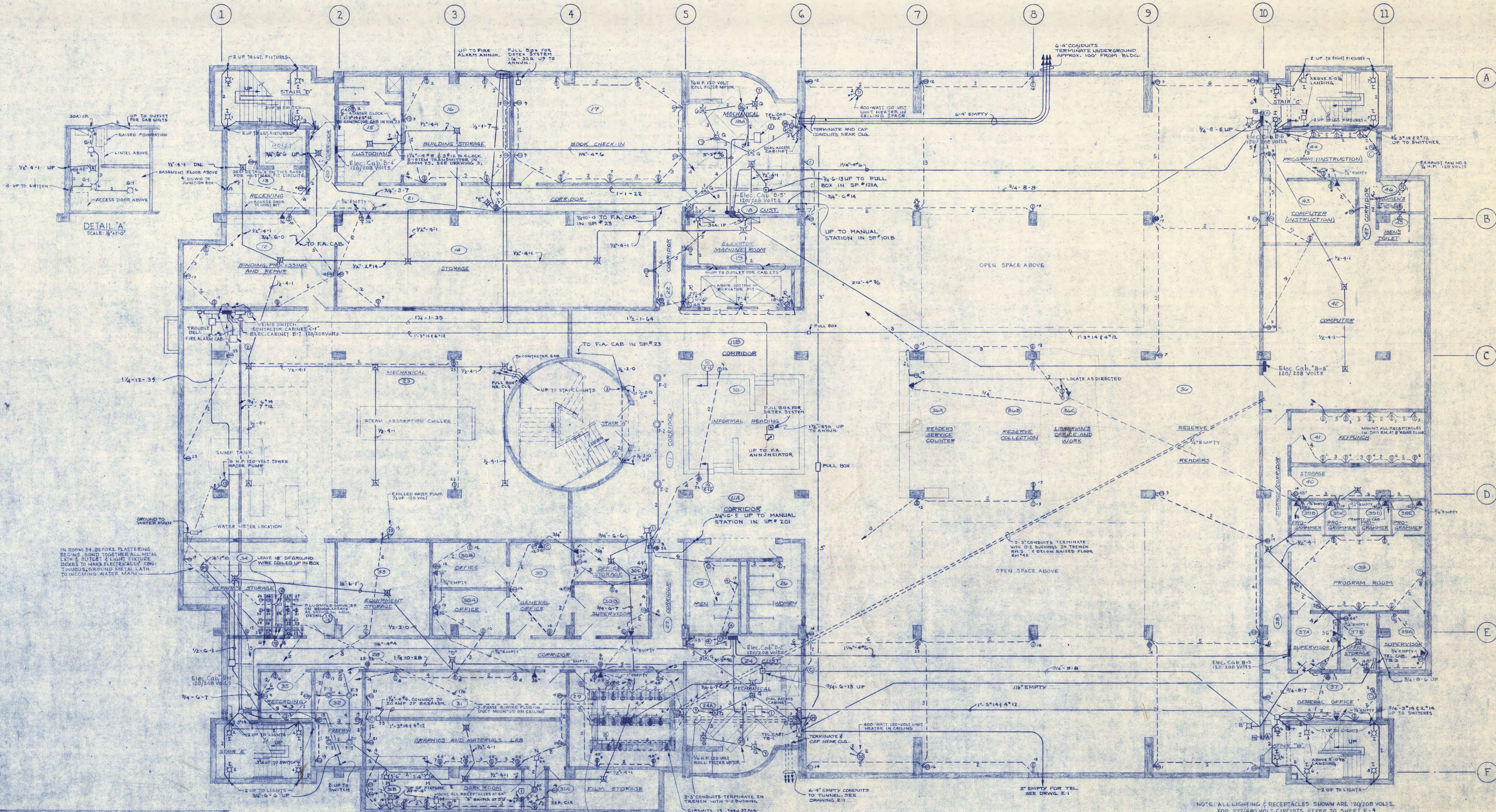
- ELEVATORS 2ND THRU 4TH FL. 8" BRG. EA. END.
- CONC. BLK. LINTEL EL. DOORS 2ND THRU 4TH FL. 8" C. BLK. 2-#4 BOT. 5" BRG. E. E.
- PRECAST CONC. LINTEL @ EL. DOORS BASE @ 1ST FL.
- PRECAST CONC. LINTEL @ BASE BEARON 8x16 PILASTER SEE W. 1-15 & 8-#4
- FREIGHT ELEV. BASE - 18" x 4" 8" x 8" 12" x 12" 12" x 12" 12" x 12"
- FREIGHT ELEV. 2ND & 3RD FL. 12" x 12" 12" x 12" 12" x 12" 12" x 12"
- TYPICAL INT. DOOR LINTEL 12" x 12" 12" x 12" 12" x 12" 12" x 12"











NOTE: ALL LIGHTING & RECEPTACLES SHOWN ARE 120/208 VOLTS. FOR 277/480 VOLT CIRCUITS, REFER TO SHEET E-3

**GENERAL NOTES**

- 1 Install in multigang box and under same plate with 277 volt switches. Provide metal barrier between the different voltage systems.
- 2 Three phase 480 120/208 volt dry type transformer suspended from ceiling. Refer to 277 volt drawings for primary connections.
- 3 Outlet box with single-gang plaster ring for magnetic door holder. Holder supplied by General Contractor, all connections by Electrical Contractor. Exact locations to be directed on job.
- 4 Provide and install conduit and wiring and make all connections to timers and flush valves supplied by others.
- 5 Capped 3/4" empty conduit stubbed into ceiling space.
- 6 Floor-mounted magnetic door holder. Holder supplied by General Contractor. All connections by Electrical Contractor. Exact location to be directed on job.
- 7 Mount lighting fixture inside fan housing.
- 8 Dial access equipment not included in contract.
- 9 Provide blank outlet box for spare circuit in plenum space of floor below, similar to that shown in Detail 1.
- 10 5-gang box mounted flush in face of panel or work bench. Provide 8.3" blank plate.

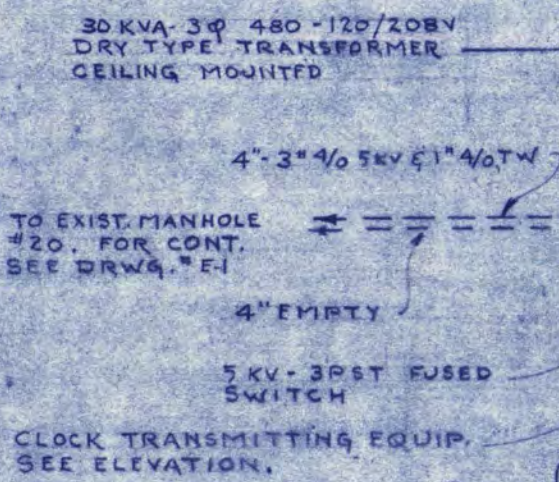
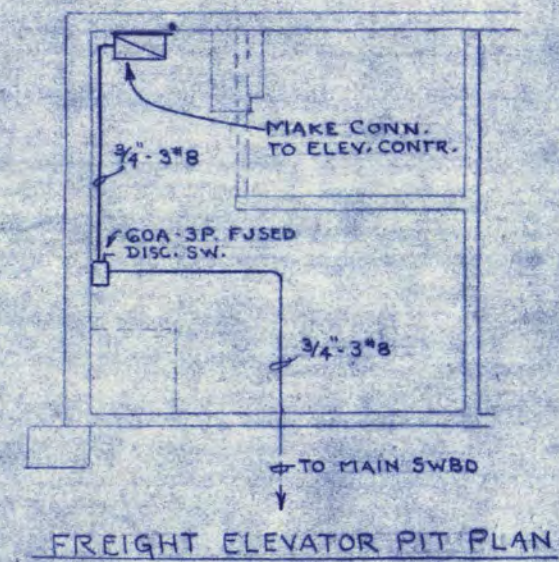
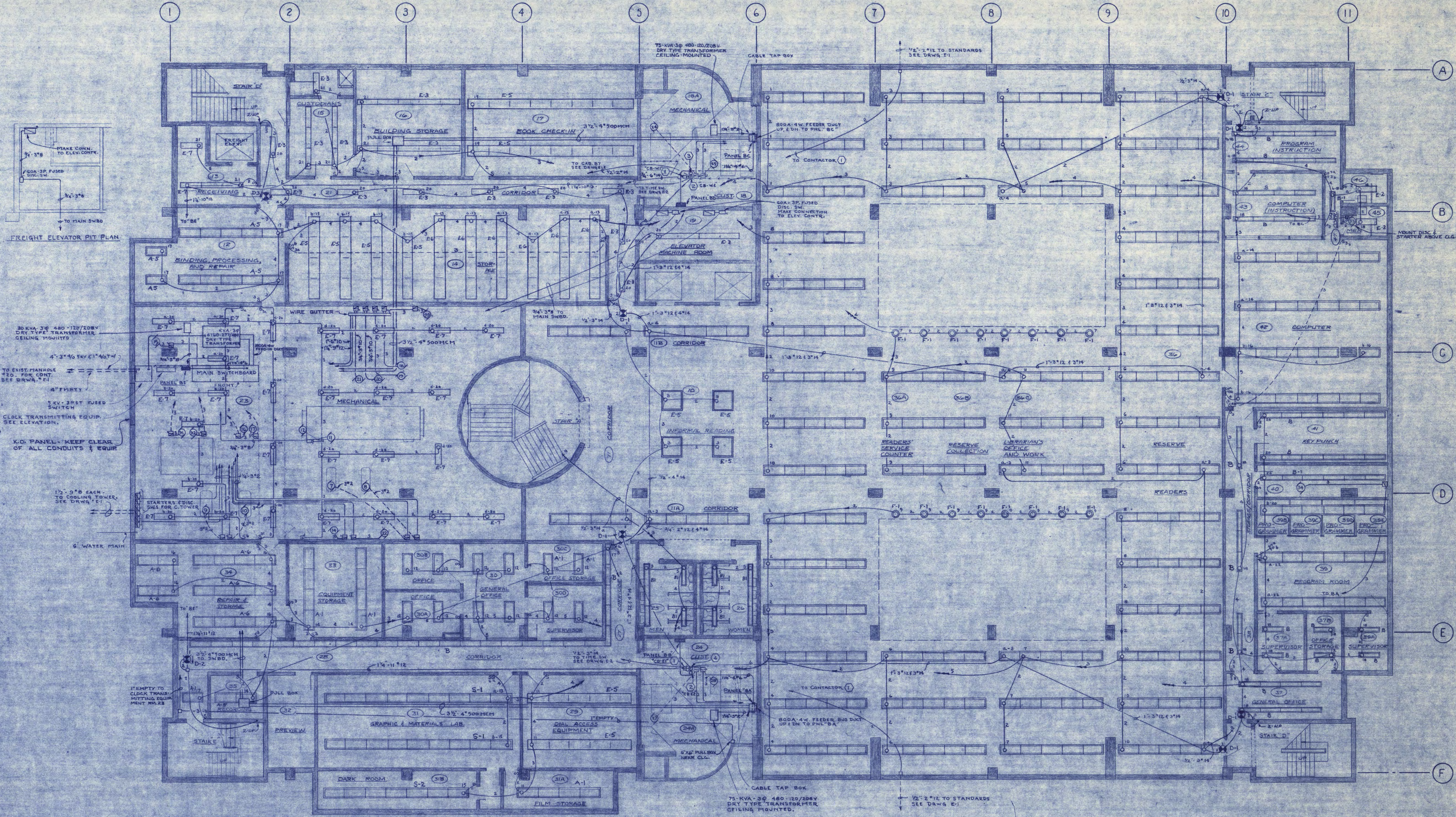
- 11 Mount switches in floor mounted control console. Console by others.
- 12 4 11/16" outlet box with blank cover. Mount below removable floor.
- 13 Stub conduits up through floor and make conduit connections to outlet boxes furnished with control console. Console by others.
- 14 Set cabinets out from wall as required so that risers will clear beams. Provide channel iron mounting brackets.

**EXPLANATION OF FIRE ALARM WIRING**  
 1ST DIGIT = CONDUIT SIZE  
 2ND DIGIT = 1/4" THIN-WALL-NORM. STATIONS, OR HOLDER  
 3RD DIGIT = 1/8" THIN-WALL-ANNUNCIATORS  
 NOTE: LETTER AT HORN DESIGNATES HORN CIRCUIT

**SYMBOLS**

- Ⓐ DOOR ALARM (DETEX) SWITCH
  - Ⓚ TIME CLOCK
  - Ⓛ DIMMER
  - Ⓜ RECESSED LIGHT AIMED AT SOFFIT ABOVE
- FOR ADDITIONAL SYMBOLS SEE SHEET BOUND IN SPECS.





ALL LIGHTING CIRCUITS TERMINATE IN PNL'S BB & ID. IN PNL'S BB CIRCUITS I THRU IO TO BE SWITCHED AT PNL ONLY. IN PNL'S ID CIRCUITS I THRU II TO BE SWITCHED AT PNL ONLY.

EXIT LIGHTS & WALK THRU LIGHTS (CONTROLLED THRU CONTACTORS) TO BE FED FROM PNL'S BE.

- NUMBERED NOTES FOR THIS DRWG. ONLY**
- ① 1-POLE CONTACTOR FOR OUTSIDE STANDARDS CONTROLLED BY TIME SW.
  - ② 1-POLE CONTACTOR FOR WALK THRU LIGHTS CONTROLLED BY MIC. SW. "A".
  - ③ PULL BOX - 1 1/2" x 12" (2 1/2" UP)
  - ④ PULL BOX - 1 1/2" x 12" UP

**NOTE:**  
ALL CIRCUITS SHOWN ON THIS DRWG ARE 277/480V. FOR 120/208V. CIRCUITS, SYSTEMS, ETC., SEE SHEET "E-2"

ALL FIXTURES TO BE TYPE "A" EXCEPT WHERE NOTED OTHERWISE

