

SLAB SCHEDULE
 S1: 4" THICK #4 @ 8" BOT. #3 @ 12" TOP.
 S2: 5" THICK #5 @ 8" BOT. #3 @ 10" TOP.

CENTENNIAL HALL
 LEARNING RESOURCES CENTER

ST. CLOUD STATE COLLEGE
 ST. CLOUD, MINNESOTA

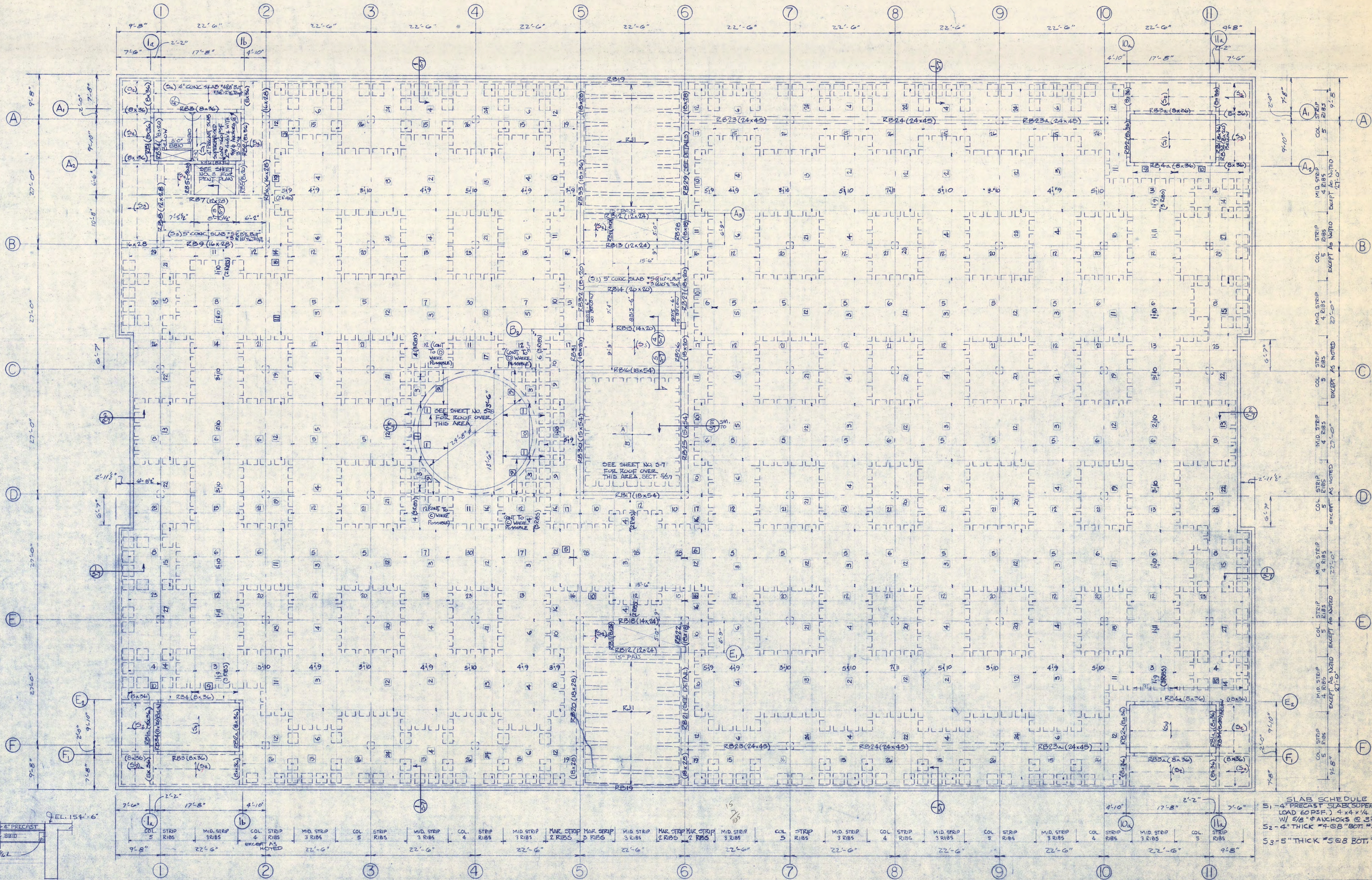
STATE PROJECT 3947
 C.E. NO. 3-9-0041-9
 MASTER BUILDING 44

FOURTH FLOOR FRAMING PLAN
 SCALE: 1/8" = 1'-0"



COMM. 6526
 DRAWN: B.P.
 DATE: 7/19/68
 CHECKED: L.V.B.

S.C. SMILEY & ASSOCIATES - ARCHITECTS
 Minneapolis, Minn.

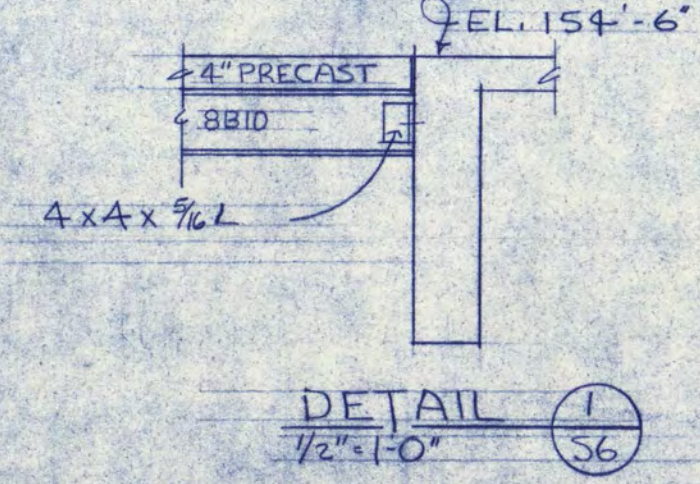


SLAB SCHEDULE

S1 - 4" PRECAST SLABS SUPERIMPOSED LOAD 60 PSF. 4 x 4 x 1/4 BRG. L5 W/ 5/8" ANCHORS @ 3'-0" OC

S2 - 4" THICK #4 @ 8" BOT. #3 @ 12" TEMP.

S3 - 5" THICK #5 @ 8" BOT. #3 @ 12" TEMP.



CENTENNIAL HALL
LEARNING RESOURCES CENTER

ST. CLOUD STATE COLLEGE
ST. CLOUD, MINNESOTA

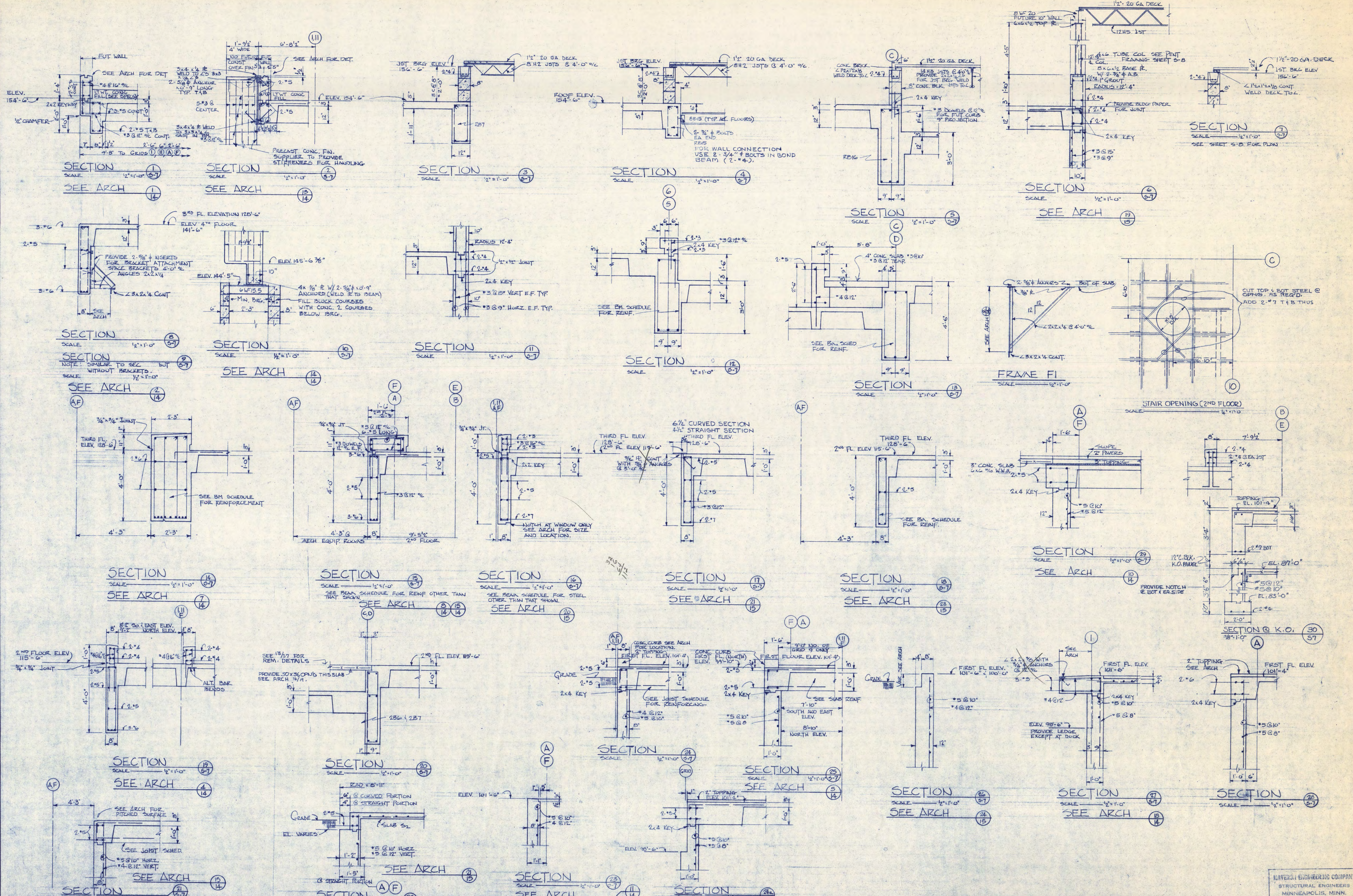
ROOF (FUTURE FIFTH FLOOR)
FRAMING PLAN
SCALE 1/8" = 1'-0"

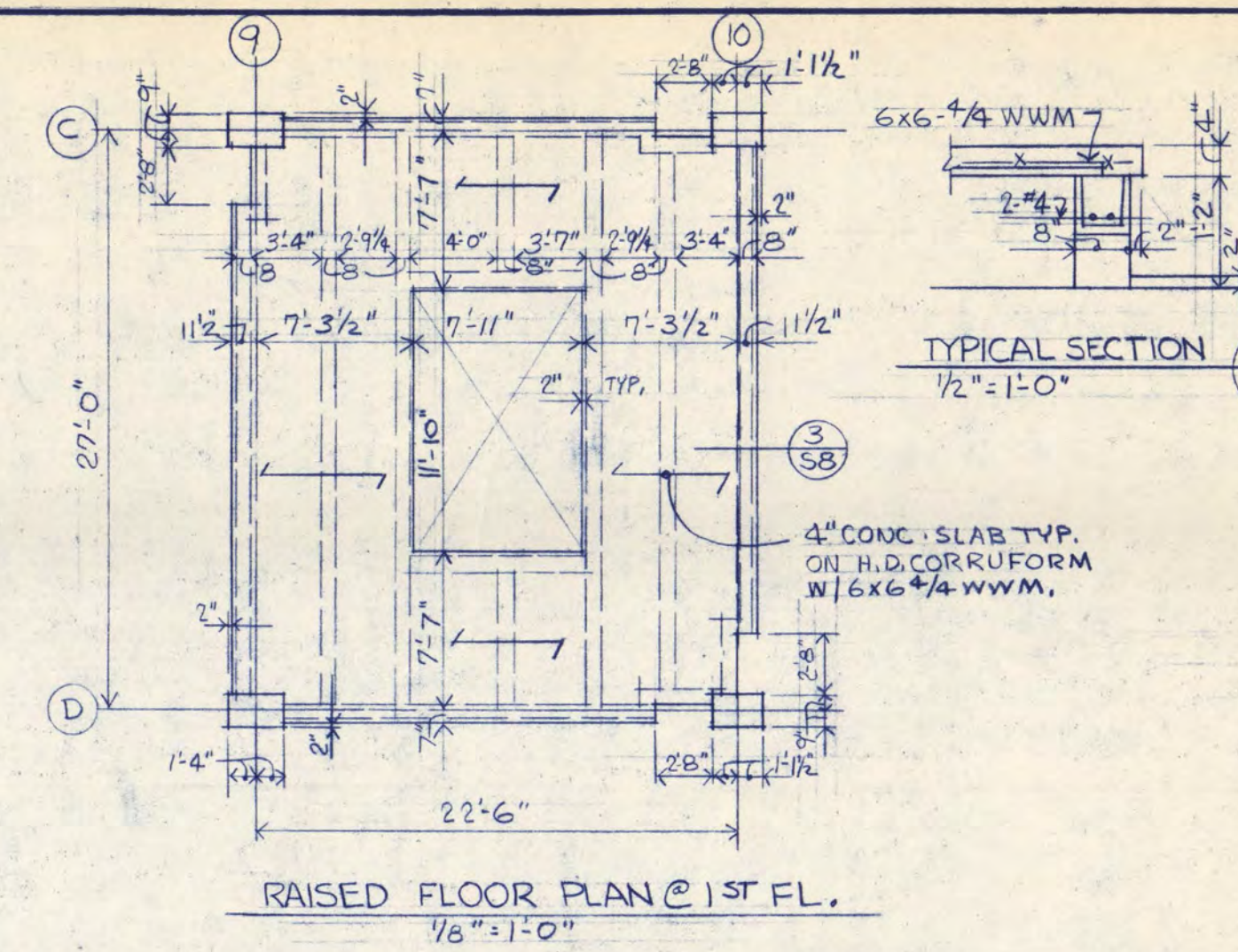
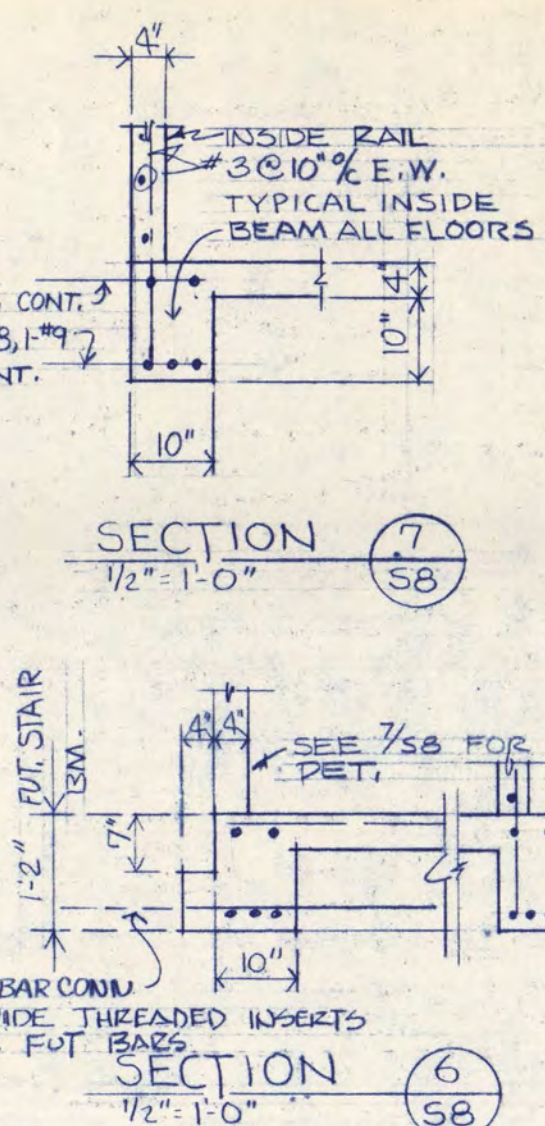
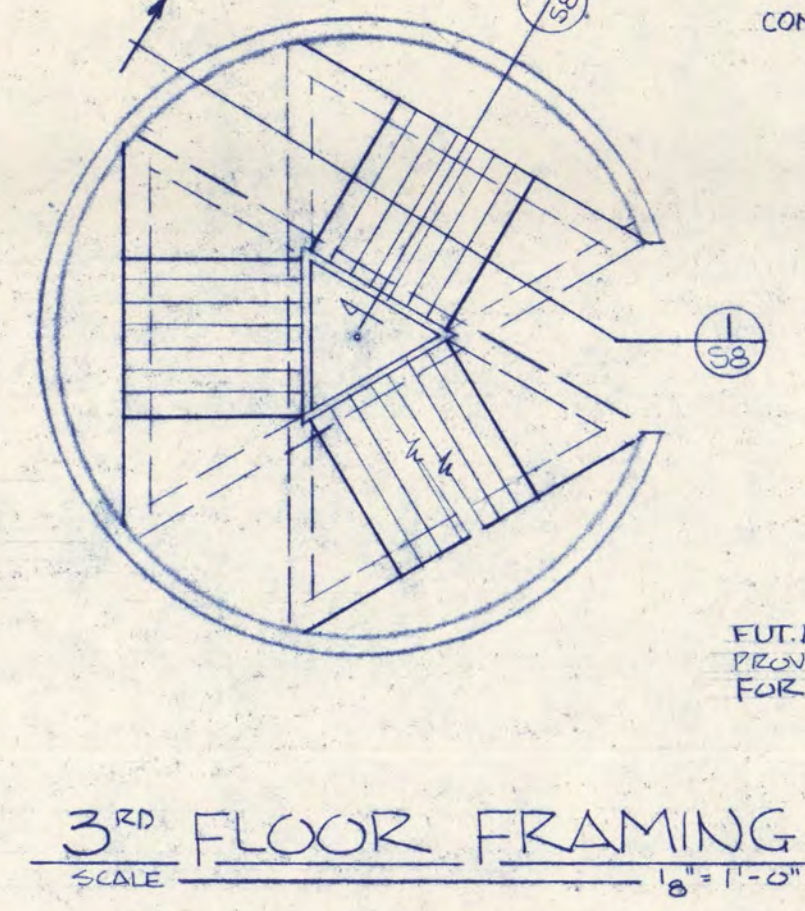
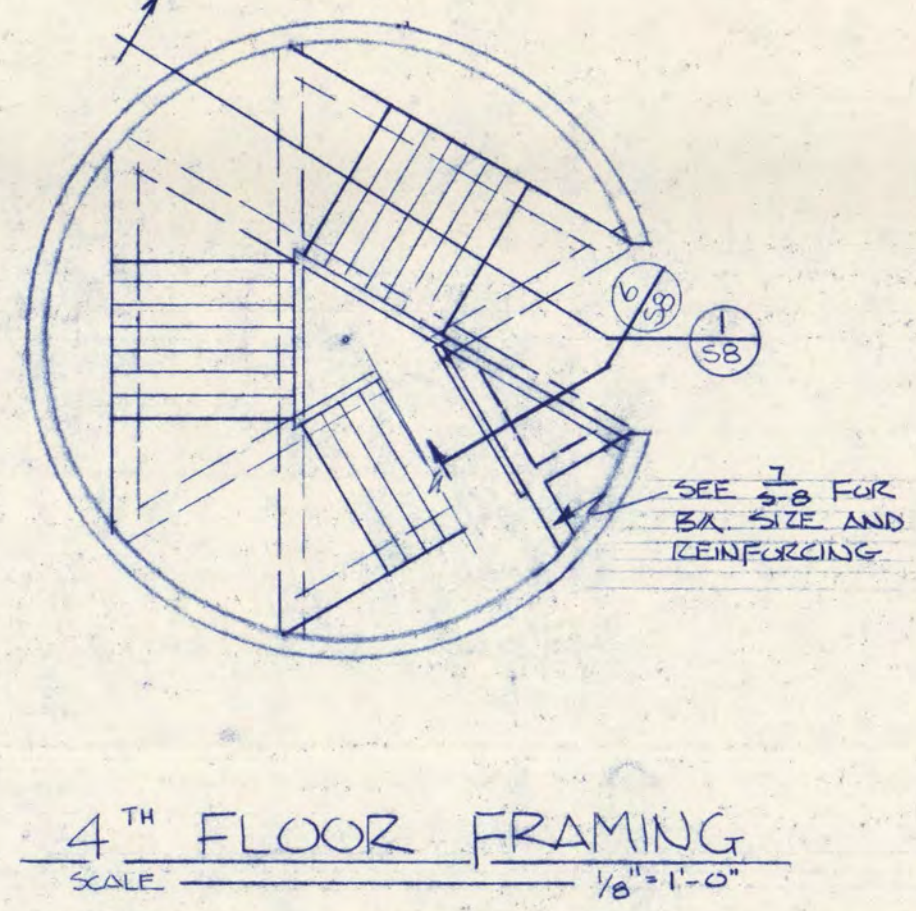
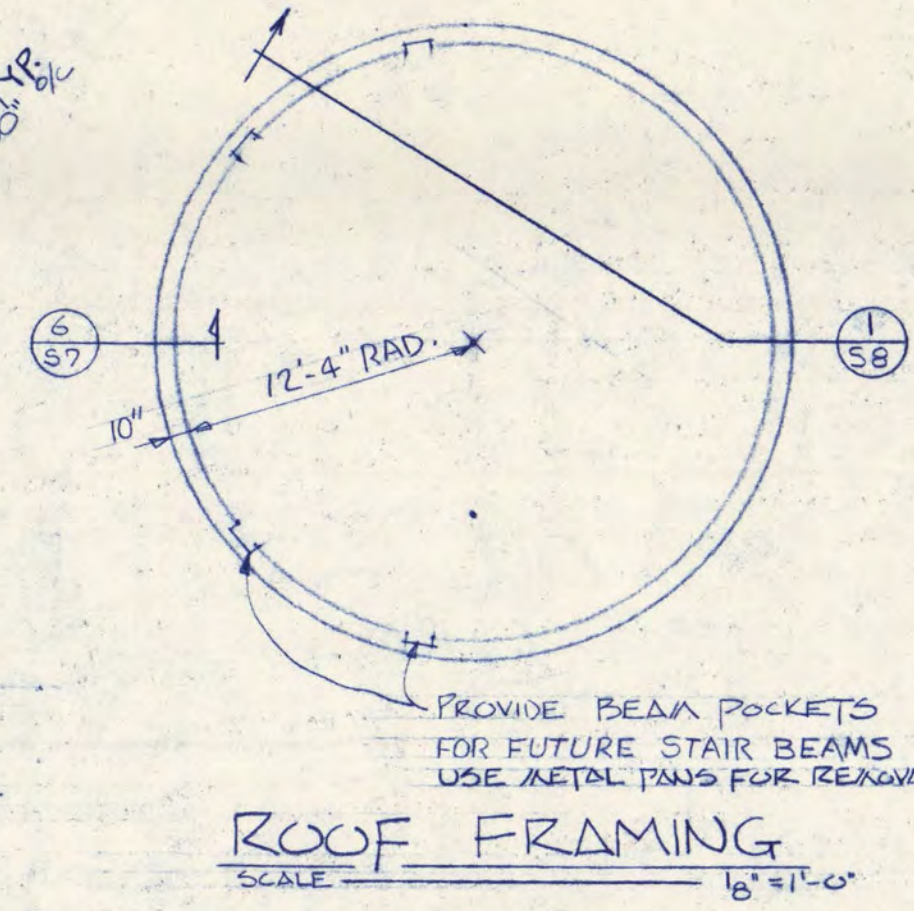
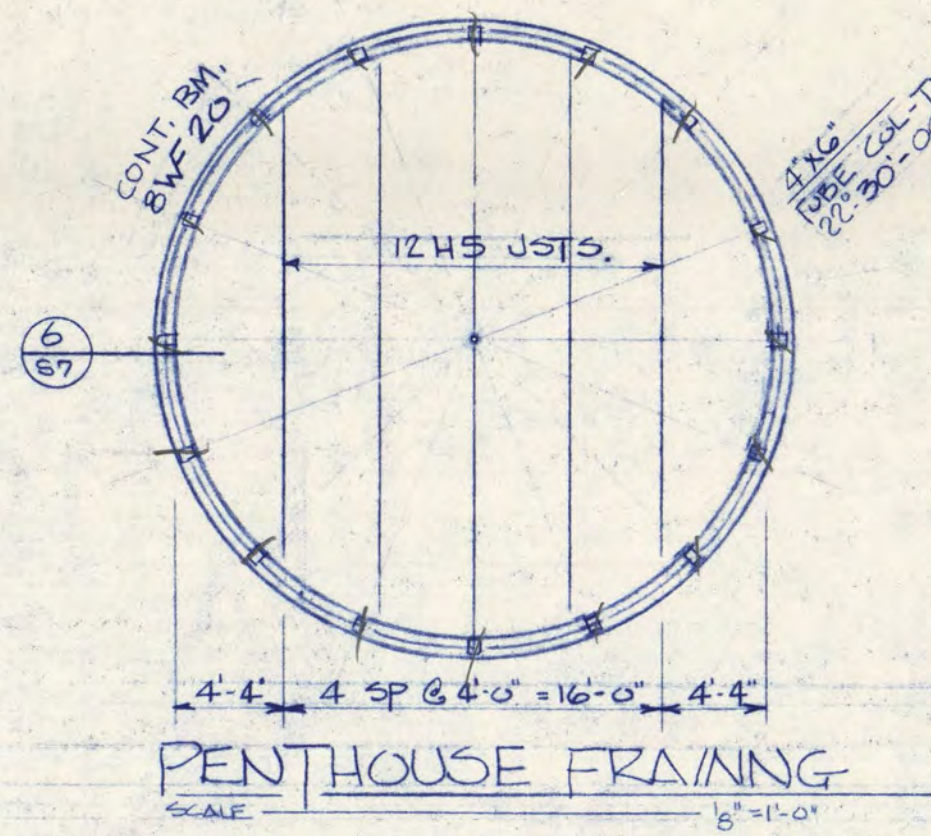


COMM. 6926
DRAWN. BJ
DATE 7/17/68
CHECKED. LVS

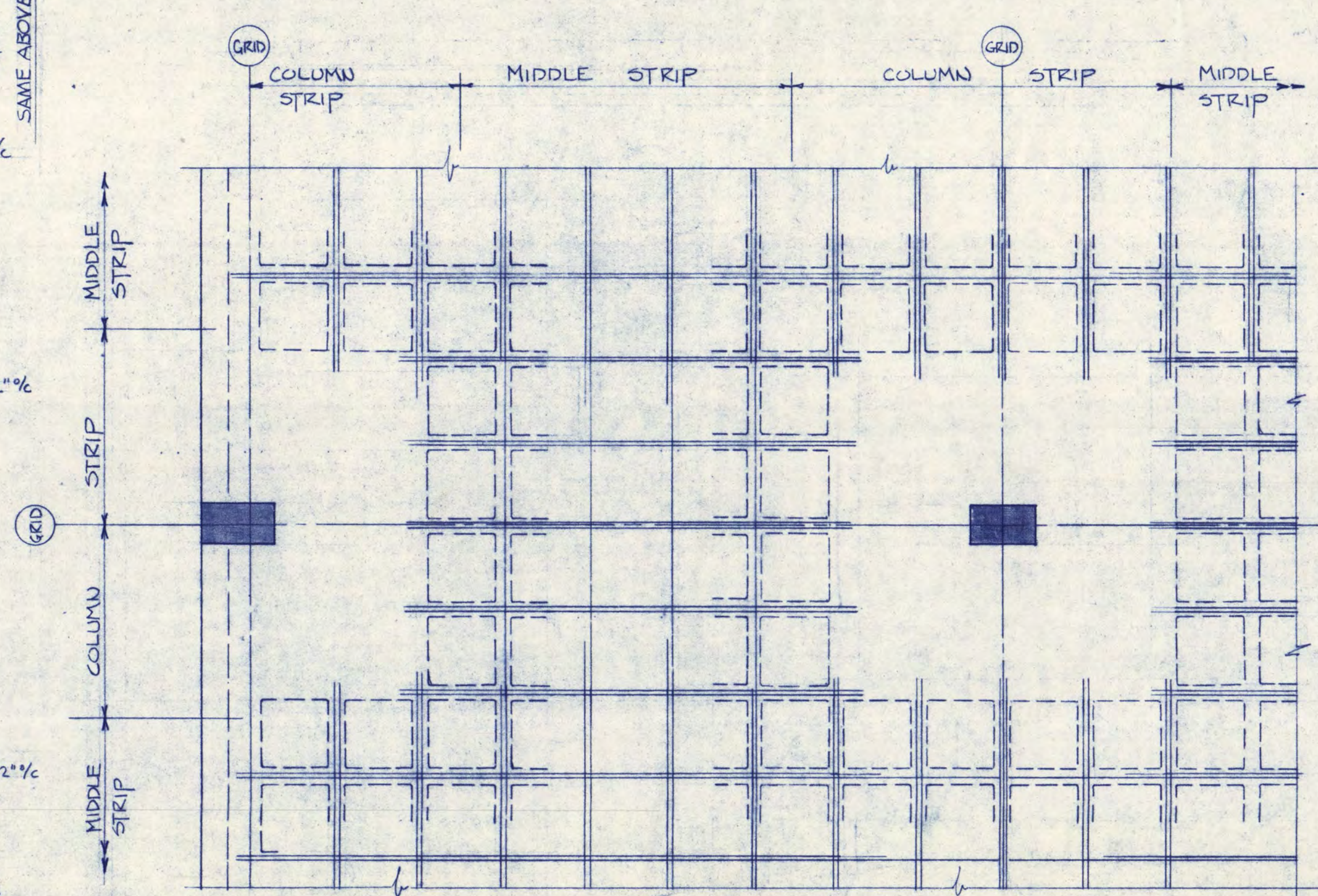
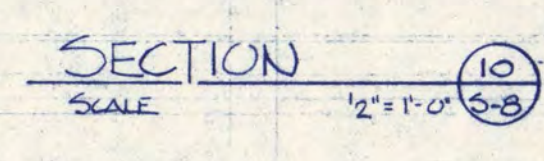
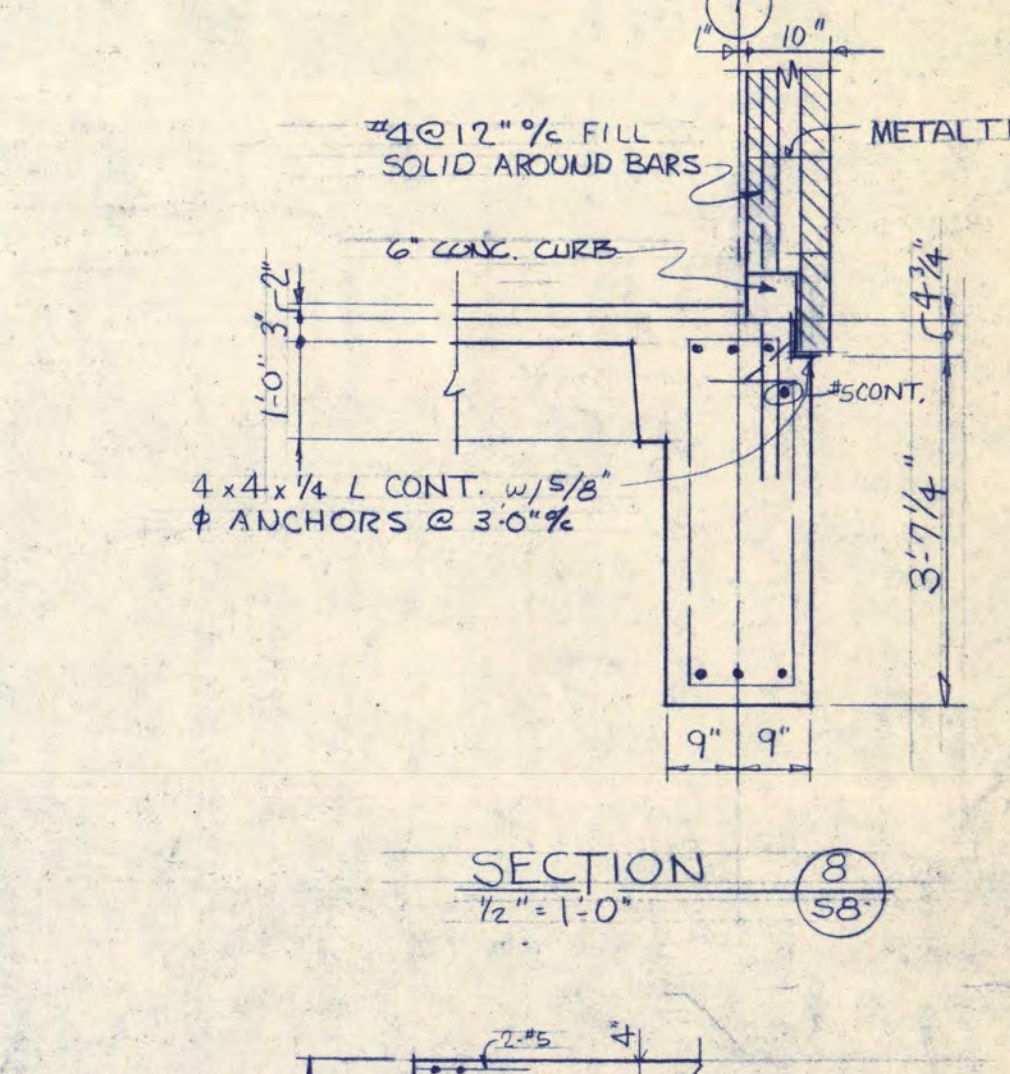
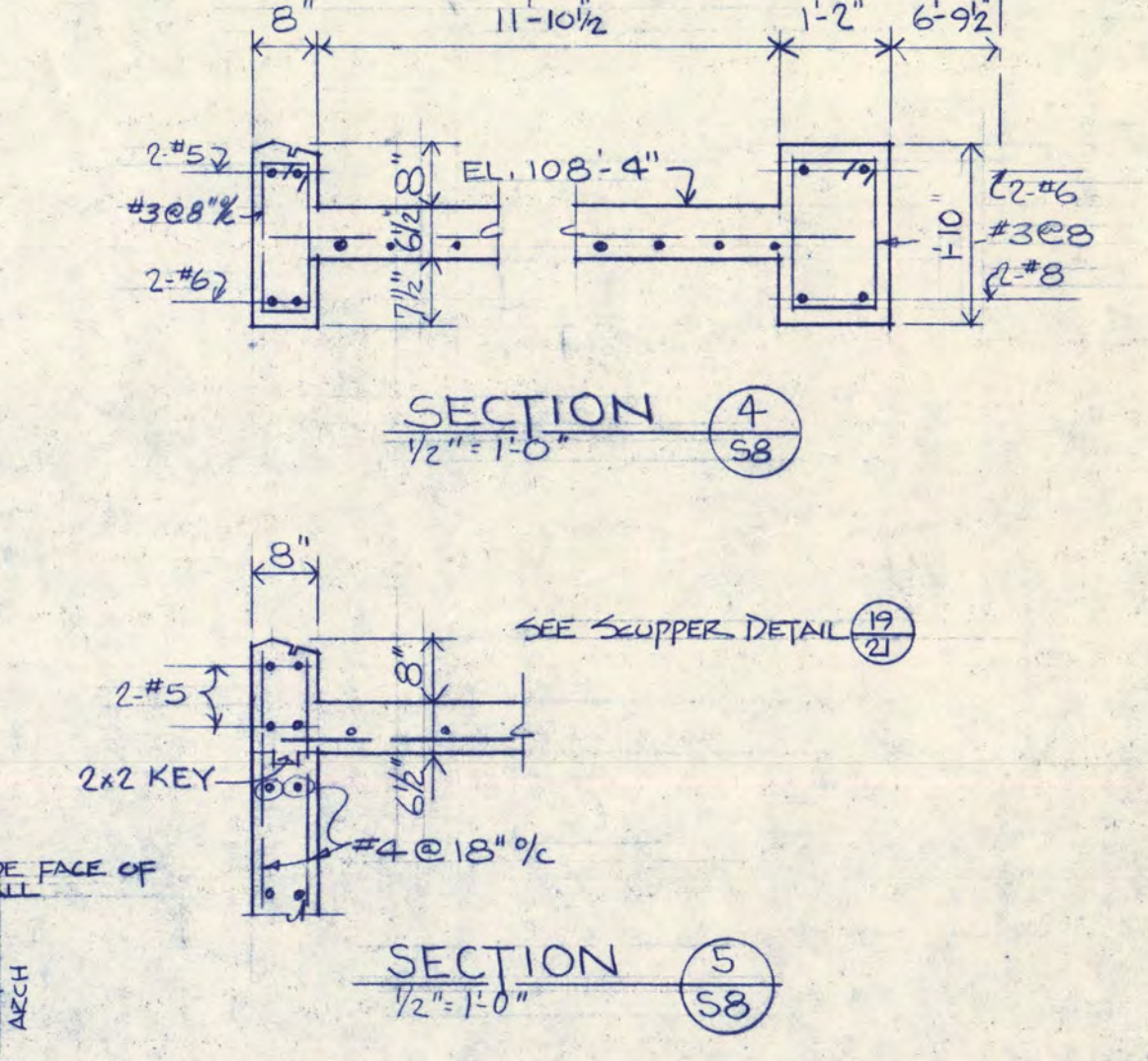
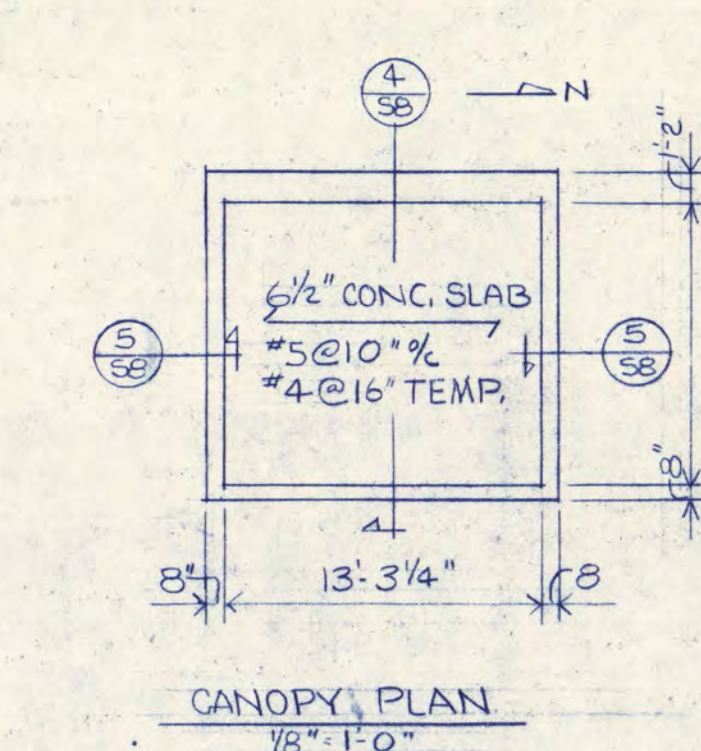
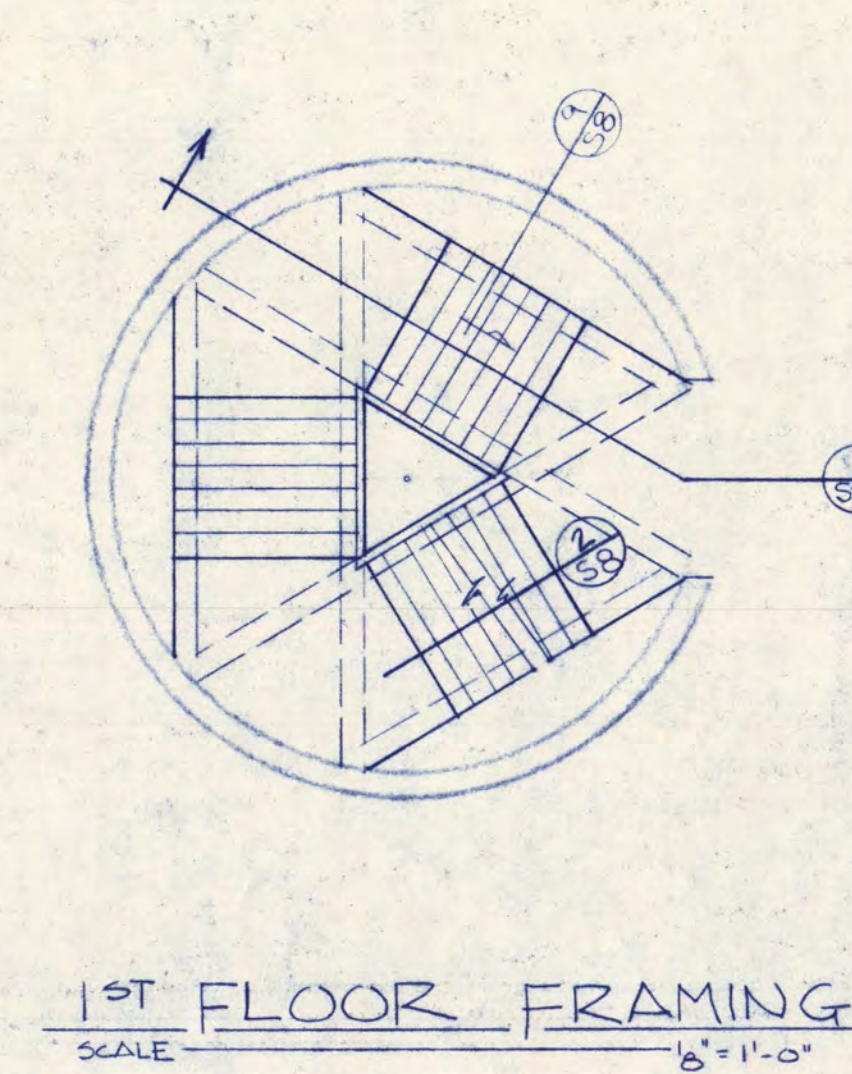
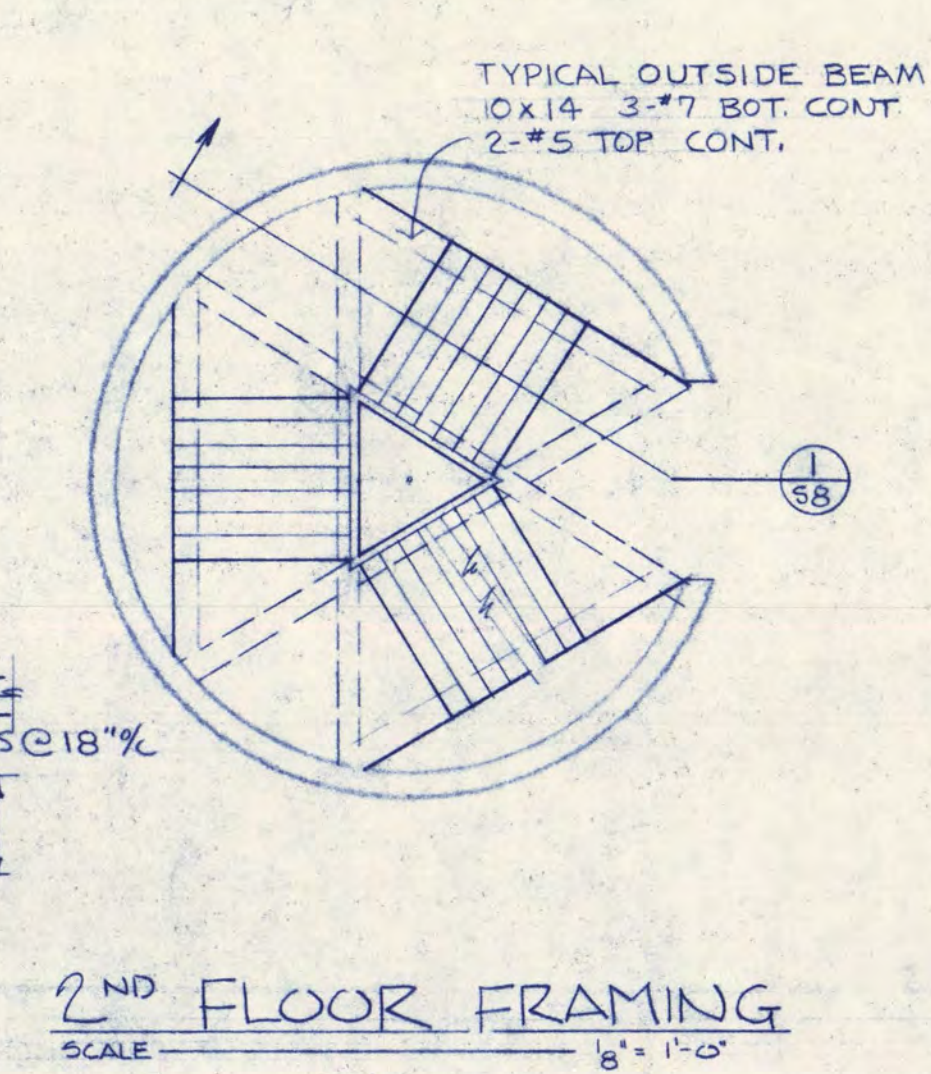
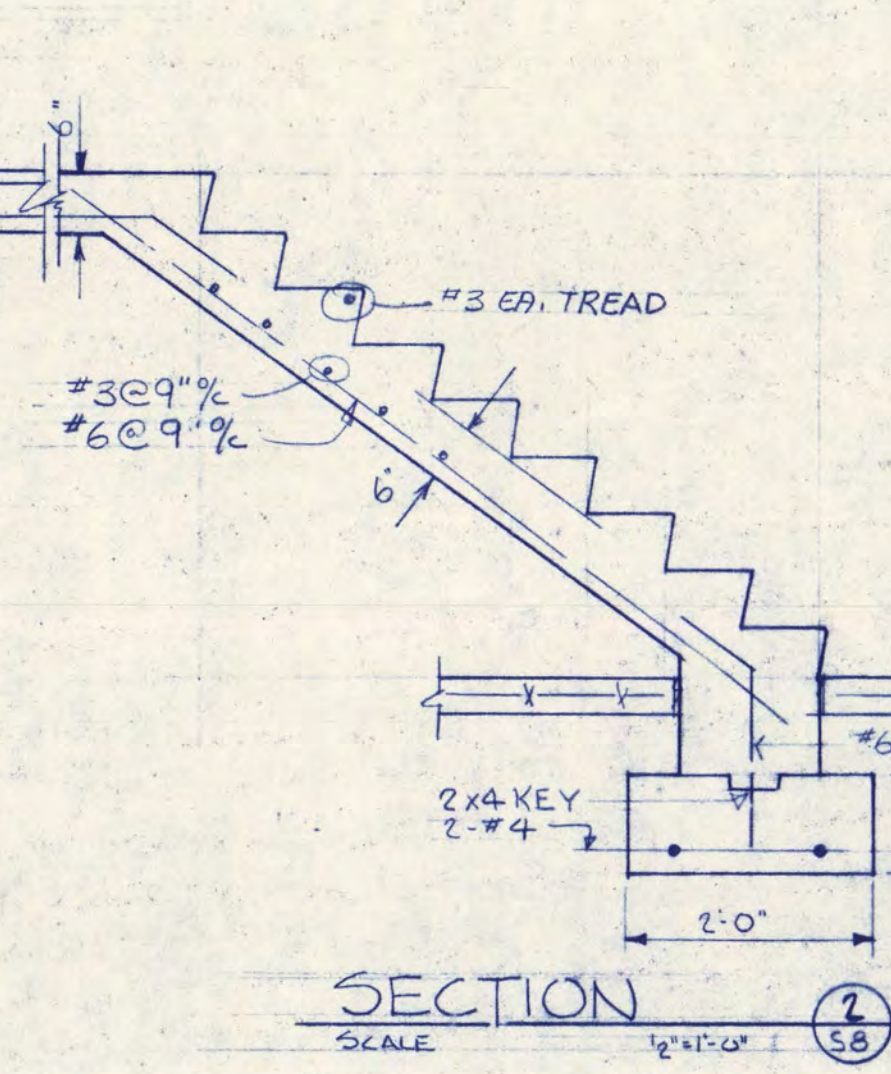
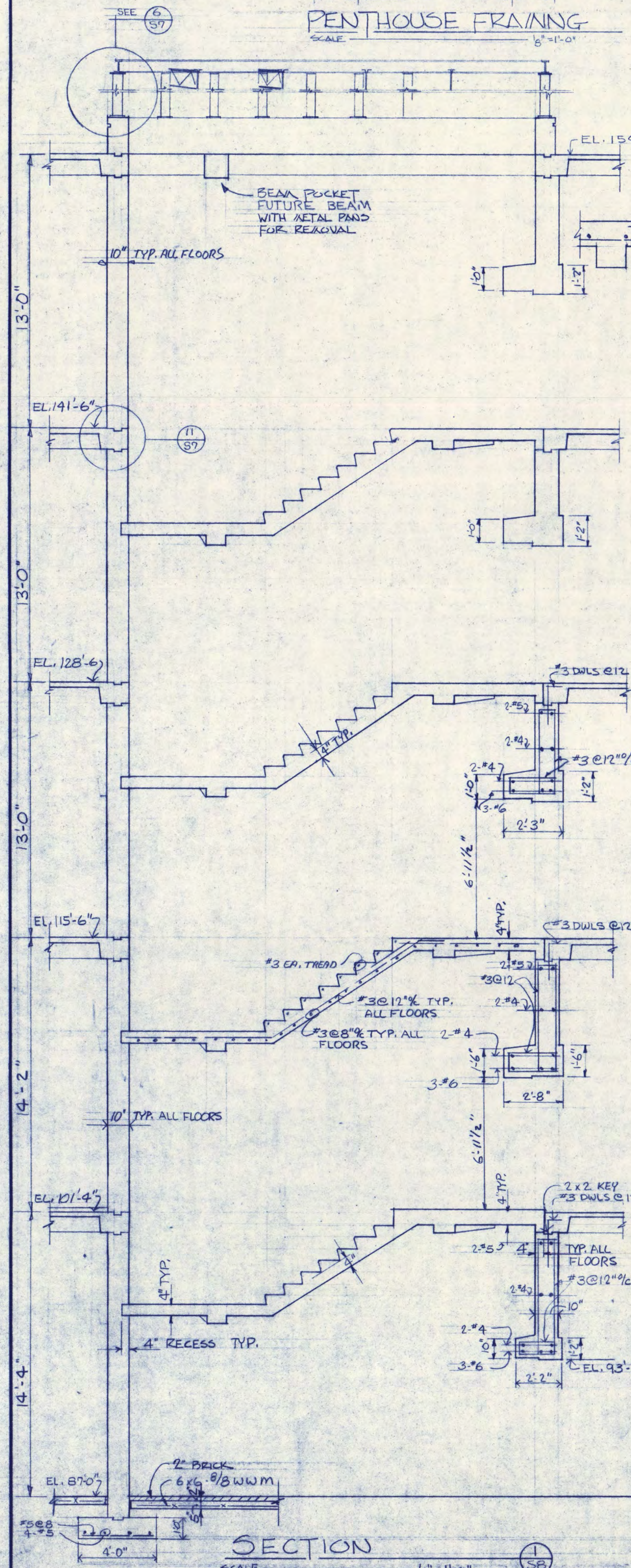
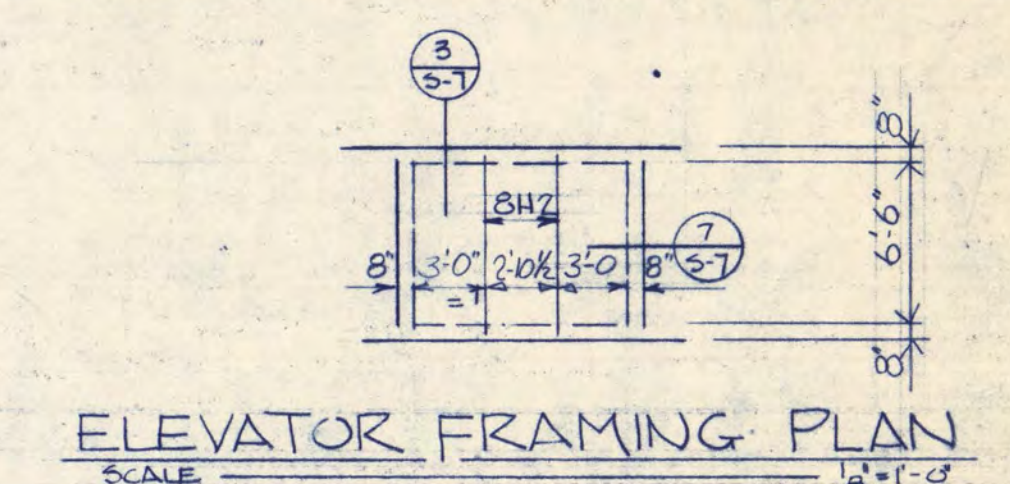
S.C. SMILEY & ASSOCIATES - ARCHITECTS
Minneapolis, Minn.

ENGINEERING COMPANY
STRUCTURAL ENGINEERS
MINNEAPOLIS, MINN.

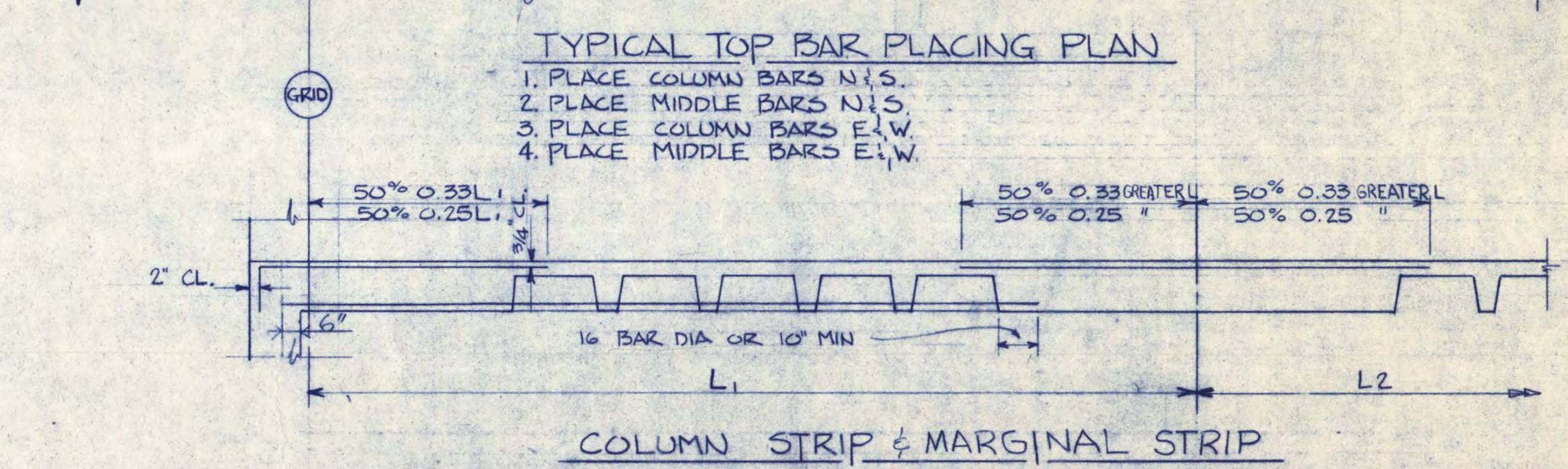
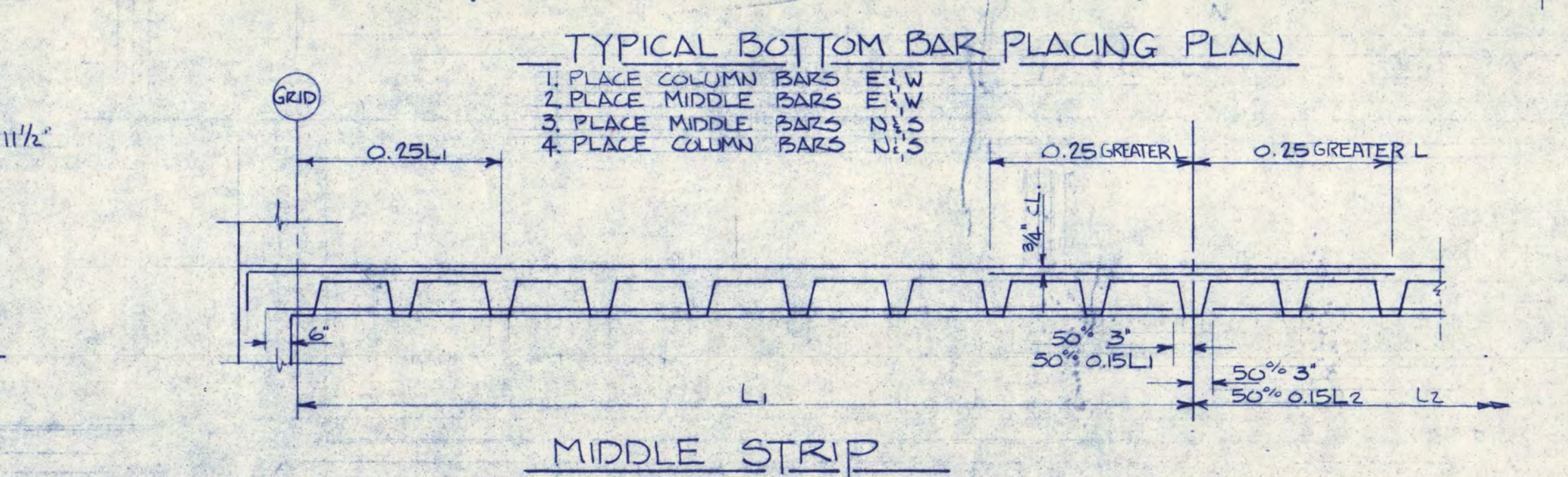
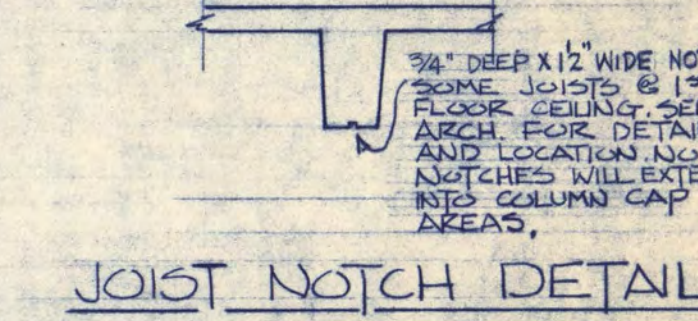
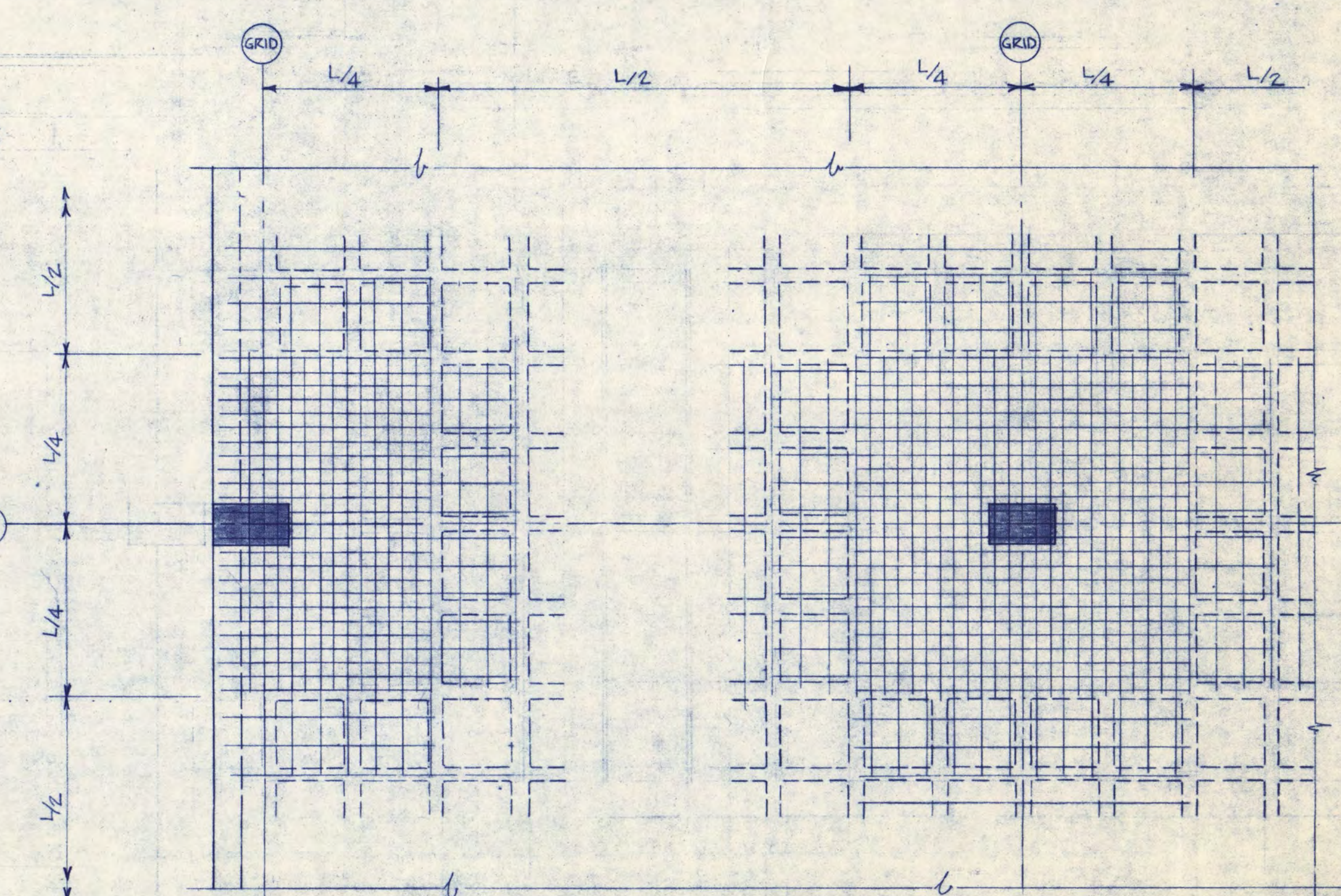




ELEVATOR FRAMING PLAN
SCALE: 1/8" = 1'-0"



TR 2
TR 3
TR 4
TR 5
TR 6



BEAM SCHEDULE

NOTE: SUBSCRIPT α INDICATES BM IS REVERSED.

Main table with columns for BEAM MARK, SIZE, LOC ON GRID, REINFORCING, STIRRUPS, REMARKS, and detailed diagrams for each beam.

